

PLATE/PIPE BEVELING MACHINE FROM STEELMAX®

DBM12 DOUBLE-SIDED PLATE/PIPE BEVELING MACHINE

LIGHTWEIGHT, SELF-FEEDING BEVELER WITH 12 MM CAPACITY

The Steelmax **DBM12** Portable Beveling Machine produces weld-ready bevels on flat plates of any shearable material up to 85,000 psi tensile strength. The **DBM12** uses a shearing process that is silent and fast. A powerful 3 phase electric motor drives the machine at speeds up to 6 feet per minute and cuts bevels up to ½" wide on material thickness from 1/8" up to 1-3/8" thick (see technical specifications table for more details). Interchangeable bevel angle attachments permit creation of 22.5, 30, 37.5, 45 and 50 degree bevels. This lightweight machine is easily inverted to bevel the underside of the plate for creation of X and K double-sided bevels without flipping the plate. The **DBM12** produces no smoke or dust and almost no noise. It will not distort the plate or create a heat affected zone.

All electronic components are housed in a dust proof enclosure and the machine conforms to all appropriate CE specifications.

FEATURES

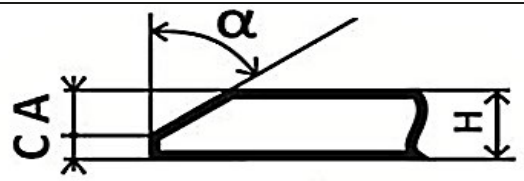
- 180° inversion allows for creation of a double-sided bevel – no need to rotate or flip heavy material. Dramatically reduces material handling costs and improves safety.
- Shearing cutting wheel is long lasting, quiet, and fast; beveling up to 6 feet per minute.
- Great machine for creating weld test coupons.
- Bevel pipe & round tubes 3-3/4" in diameter and larger.



Steelmax
The tools of innovation.

DBM12 Technical Specifications

Part Number	SM-DBM12
Motor Power	400W, 7.5 rpm
Voltage	480V, 60Hz, 3 Phase
Plate Thickness	0.12"-1.38" (3mm-35mm) for 22.5°, 30° & 37.5° bevel angles 0.12"-0.87" (3mm-22mm) for 45° & 50° bevel angles
Max Bevel Width	12mm (0.5")
Cutting Speed	6 ft/min (1.8m/min)
Bevel Range	22.5° - 50° (See accessories below for angle attachments)
Dimensions	18.5" x 11.6" x 20.6" (470mm x 294mm x 523mm)
Weight	66 lbs (30kg)
Accessories for DBM12	
22.5° Bevel Angle Attachment	SM-DBM12-1926
30° Bevel Angle Attachment	SM-DBM12-1923
37.5° Bevel Angle Attachment	SM-DBM12-1925
45° Bevel Angle Attachment	SM-DBM12-1924
50° Bevel Angle Attachment	SM-DBM12-1929
Set of Three Cutting Wheels	SM-DBM12-1928
Adaptor for Pipe Beveling	SM-DBM12-1919



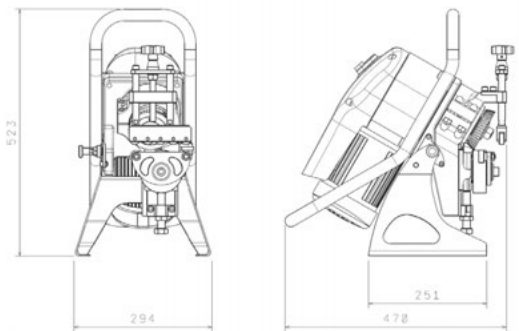
H	α	C2
3-8 mm (0.12"-0.32")	22.5° - 50°	0mm (0")
10mm (0.4")	50°	2mm (0.08")
	45°	1.5mm (0.06")
	37.5°	0.5mm (0.02")
	30°	0mm (0")
	22.5°	0mm (0")
12mm (0.47")	50°	4mm (0.16")
	45°	3.5mm (0.14")
	37.5°	2.5mm (0.1")
	30°	1.5mm (0.06")
	22.5°	1mm (0.04")
15mm (0.6")	50°	7mm (0.28")
	45°	6.5mm (0.26")
	37.5°	5.5mm (0.22")
	30°	4.5mm (0.18")
	22.5°	4mm (0.16")
20mm (0.8")	50°	12mm (0.47")
	45°	11.5mm (0.45")
	37.5°	10.5mm (0.41")
	30°	9.5mm (0.37")
	22.5°	9mm (0.35")
22mm (0.87")	50°	14mm (0.55")
	45°	13.5mm (0.53")
	37.5°	12.5mm (0.49")
	30°	11.5mm (0.45")
	22.5°	11mm (0.43")
25mm (1.0")	37.5°	15.5mm (0.61")
	30°	14.5mm (0.57")
	22.5°	14mm (0.55")
	37.5°	20.5mm (0.81")
30mm (1.18")	30°	19.5mm (0.77")
	22.5°	19mm (0.75")
	37.5°	25.5mm (1.00")
35mm (1.38")	30°	24.5mm (0.97")
	22.5°	24mm (0.95")

Bevel Angle Attachment for DBM12



Set of three cutting wheels for DBM12

Adaptor for beveling pipe & round tubes 3-3/4" and larger



Steelmax

The tools of innovation.



For ordering and customer service, or to request detailed product information or demonstration videos, contact:

877-833-5629

STEELMAX.COM

sales@Steelmax.com

Fax: 303-690-9172