

# PORTABLE HYDRAULIC PUNCHES FROM STEELMAX®

## HP60 & HP110

### FULLY PORTABLE PUNCHES PRODUCE SMOOTH PRECISE HOLES IN SECONDS

Available in two models with 35 ton and 47 ton capacities, Steelmax Portable Hydraulic Punches are ideal solutions to speed the production of holes and slots in beam flanges, angle, channel, plates and bar stock. The Double Action design minimizes cycle times and, coupled with high portability, promotes reduced material handling generating highly efficient hole production compared to other processes.

#### Primary features and benefits:

- Maximum Hole Diameter 1-1/16" (27 mm)
- Double Action Design Prevents Punch Binding and Speeds Retraction
- Intelligent Control System with Automatic Load Detection and Mode Indicator Light
- Rugged Forged Steel "C" Frame for Strength and Durability
- Fully Portable Punch and Pump Package Reduces Material Handling
- Optional Free Standing Base with Foot Pedal permits Bench Top Operation



**SM-HP700**  
**HydraulicPunchPowerPack**

#### HP60/HP110 Round Hole Capacities

(60,000 PSI Shear Strength Material)

Plate Thickness	1/16	1/8	3/16	1/4	5/16	3/8	7/16	1/2	9/16	5/8
HP60 <sup>1</sup>	1-1/16	1-1/16	1-1/16	1-1/16	1-1/16	1	13/16	3/4	–	–
HP110 <sup>2</sup>	1-1/16	1-1/16	1-1/16	1-1/16	1-1/16	1-1/16	1-1/16	1	7/8	3/4

1. HP 60 maximum plate thickness is 1/2"

2. HP 110 maximum plate thickness is 5/8"

**Steelmax**

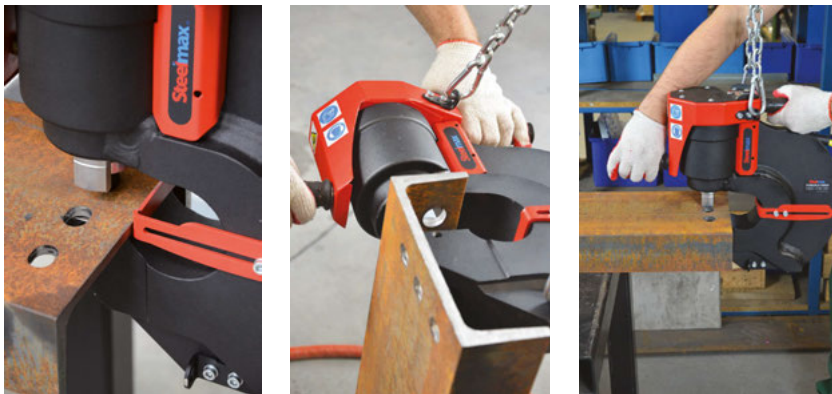
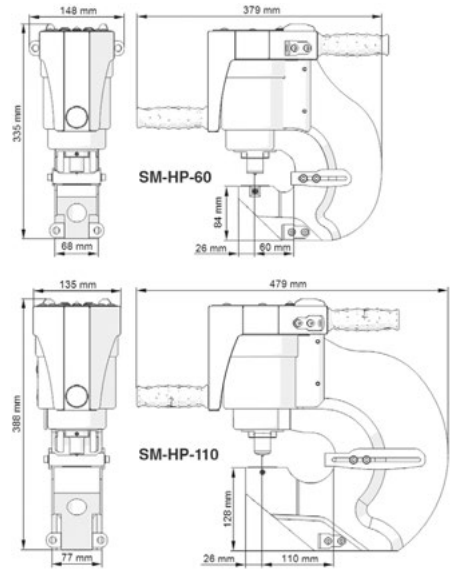
The tools of innovation.

# PORTABLE HYDRAULIC PUNCHES FROM STEELMAX®

## TECHNICAL SPECIFICATIONS

Portable Double-Action Hydraulic Punch	SM-HP60	SM-HP110
Max. throat depth	2-3/8" (60 mm)	4-5/16" (110 mm)
Max. hole*	1-1/16" (Ø 27 mm)	1-1/16" (Ø 27 mm)
Max. oblong hole	25 x 18 mm	25 x 18 mm
Punch cycle time	5 sec	8 sec
Max. plate thickness*	1/2" (13 mm)	5/8" (16 mm)
Punch power	35 ton	47 ton
Working pressure	10,000 psi	10,000 psi
Weight	44 lbs (20 kg)	77 lbs (35 kg)

\*See round hole capacity chart on previous page.



Ready to work in both vertical and horizontal positions



Ergonomic location of "quick-connect" ports at the rear of unit

Double-Action Hydraulic Power Pack SM-HP700	
Power supply*	230V/50Hz; 115V/60Hz
Motor power	1500 W
Working pressure	10,000 psi
Pump output	1.5 L/min
Oil capacity	10 L



Portable hydraulic power pack with shelf for punch transport SM-HP700



\*Contact Steelmax for other voltage options

Spring balancers available for both machines SM-BLN-000005



**Steelmax**  
The tools of innovation.

**American Welding Society**  
Supporting Company Member

For ordering and customer service, or to request detailed product information or demonstration videos, contact:

877-833-5629

STEELMAX.COM

sales@Steelmax.com

Fax: 303-690-9172

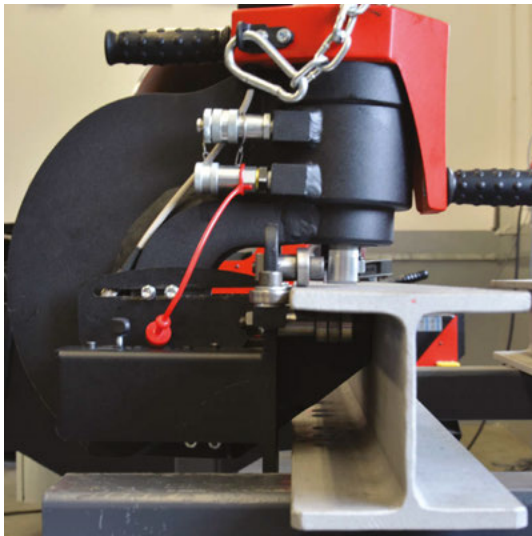


# PORTABLE HYDRAULIC PUNCHES FROM STEELMAX®

## Optional Accessories



**Free Standing Base for Punch** SM-ZST-0507-91-00-00-0  
With Foot Petal Activation for bench top operation



**Wheeled Carriage for Punch** SM-PRW-0507-90-00-00-0  
Permits smooth and efficient lineal movement along the work piece.



**Overhead Support for Punch**  
SM-ZUR-0517-15-00-00-0  
Integrated overhead boom support allows for easy manipulation of punch and power pack as single unit.

## Punches & dies



HOLE DIAMETER	DECIMAL EQUIVALENT	PUNCH PART #	DIE PART#
5/16	0.3125	SM-HP-P-0313	SM-HP-D-0313
3/8	0.3750	SM-HP-P-0375	SM-HP-D-0375
7/16	0.4375	SM-HP-P-0438	SM-HP-D-0438
1/2	0.5000	SM-HP-P-0500	SM-HP-D-0500
9/16	0.5625	SM-HP-P-0563	SM-HP-D-0563
5/8	0.6250	SM-HP-P-0625	SM-HP-D-0625
11/16	0.6875	SM-HP-P-0688	SM-HP-D-0688
3/4	0.7500	SM-HP-P-0750	SM-HP-D-0750
13/16	0.8125	SM-HP-P-0813	SM-HP-D-0813
7/8	0.8750	SM-HP-P-0875	SM-HP-D-0875
15/16	0.9375	SM-HP-P-0938	SM-HP-D-0938
1	1.0000	SM-HP-P-1000	SM-HP-D-1000
1 1/16	1.0625	SM-HP-P-1063	SM-HP-D-1063

Slot sizes in stock. Other sizes available by special order.

**Steelmax**  
The tools of innovation.